

Hello! I send you this letter to acquaint with the new direction in renewable power. It is known that you are interested in problems of power providing mankind in the future.

People too got used to such representation as if they constantly "spend" energy, like money which for this purpose needs to be earned by persistent work at first. But all of us from a school course of physics know that there is a Law of energy conservation. When we "spend" it, it doesn't disappear completely anywhere, and simply dissipates in the atmosphere surrounding us in the form of heat (chaotic motion of the molecules of air).

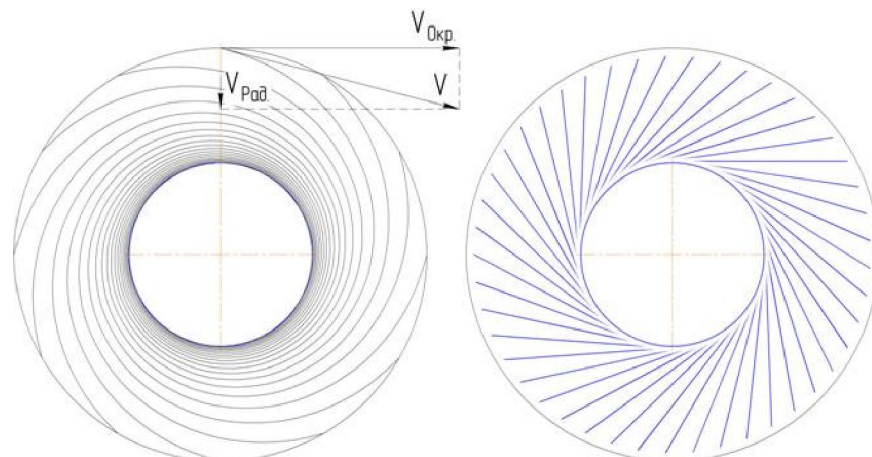
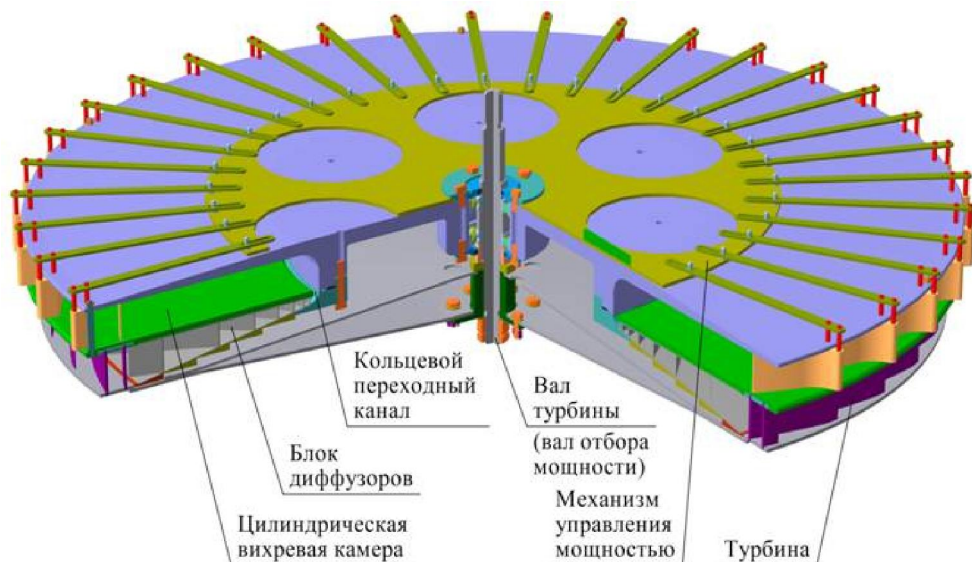
And quite really to create the technical device concentrating this energy and turning it again, for example, into electricity. In such device there is a process of streamlining of motion of the molecules to similarly natural phenomena - for example, a tornado, or a usual water funnel in a bathtub.

The main aspect of new outlook consists that energy is not the "expendable material" demanding constants of labor-consuming search and production. It is "tool" which always at us near at hand and by means of which we can transform in every possible way our life, create anything absolutely free of charge and infinitely.

One of options of the device allowing to move to a new level of use of energy is the thermomechanical converter (TMC). TMC represents the device on the basis of dynamics of gas. As a working body for it practically any gas can serve. But it is technically simpler than everything to apply atmospheric air, directly and being the main energy carrier. It will also appear in the further description as a working body. The principle of action of TMC, in fact, is pretty simple. If in a static condition of any volume of air of its molecule move chaotically, upon transition of air to a dynamic state, emergence of a stream of a certain configuration in it, the thermal movement gains orderliness. The probability of thermal movements of molecules loses isotropy (equality in all directions), and that was temperature, becomes an increment of power of initially created stream. The question consists only in finding the necessary configuration of a stream for the most effective transformation of heat. However, the nature for centuries gave us the help which we didn't want to see that is called in an emphasis. It is a centripetal whirlwind in which Wednesday moves from the periphery to the center of rotation with increase of district speed. Each of us has idea of the same cyclones, typhoons, a tornado, and water funnels. Yes, such process happens and in the liquid environment, only much less effectively as molecules of liquid have no free run.

In this whirl of a molecule move simply on a line of least resistance. Unlike the rectilinear expiration from a nozzle, the vortex stream has one important property. The air consumption in it is defined by a radial component of speed with which the district component has no rigid communication. It is limited only to counter-pressure from action of centrifugal force. Dynamics of a vortex stream gives to molecules additional degree of freedom in the direction of its district speed, the centripetal gradient (intensity and the direction of change) which is the factor reconstructing the thermal movement from chaotic in more and more sent at each collision in process of movement of molecules from the periphery to the central part of a stream. After all concerning each molecule the next molecular layer, the next to the center, moves towards rotation slightly quicker, than the next to the periphery. Intensity of collisions in the direction of the meeting spiral is smaller, than in opposite, as defines a line of least resistance. It is similar to the supercomputer recalculating structure of the molecular movement with a speed

equal to 5 billion operations per second (number of collisions of one molecule) increased by number of molecules in working volume. And the program of recalculation is set only by a geometrical form of flowing part of the device. TMC consists of only several main parts. At first air from perimeter of the device gets in cylindrical (or funneled) the vortex camera where, actually, and there is the main process of transformation – the chaotic thermal movement in a centripetal spiral stream. Here heat turns into kinetic energy of a stream which speed comes nearer to the average speed of the thermal movement – about 400 m/s. Then via the ring-shaped vertical channel in the central part of TMC the stream passes into the block of diffusers, rectilinear bells, hollow extending from the transitional channel to the periphery in the direction close to tangent concerning this channel. In diffusers at the expense of smooth increase in the section through passage stream speed considerably decreases, and its kinetic energy turns into the excessive pressure setting the turbine which covers the block of diffusers on perimeter in motion. From the shaft of the turbine passing through the TMC center mechanical energy for practical needs as a result of cooling of the proceeding air is also removed. The same turbine serves for start of the device by creation in it an initial air stream. The scheme TMC is represented in the following drawing. Except the transferred main parts on the scheme also the mechanism of management of power by change of resistance to the entering stream representing mobile ring blinds is shown.



Configuration of a vortex stream

Configuration of the block of diffusers

So far it was succeeded to make only one model. Its quality turned out is very low. First, because of a lack of means (need of austerity), secondly, also some misunderstanding (at that time) of influence of geometry of flowing part on working capacity affected. Radical novelty of the direction of researches has the expenses. Generally, too high resistance turned out. So far it didn't manage to be started. Though, and not the fact that it in general is impossible. There is no simply technical, financial capability to continue experiences.

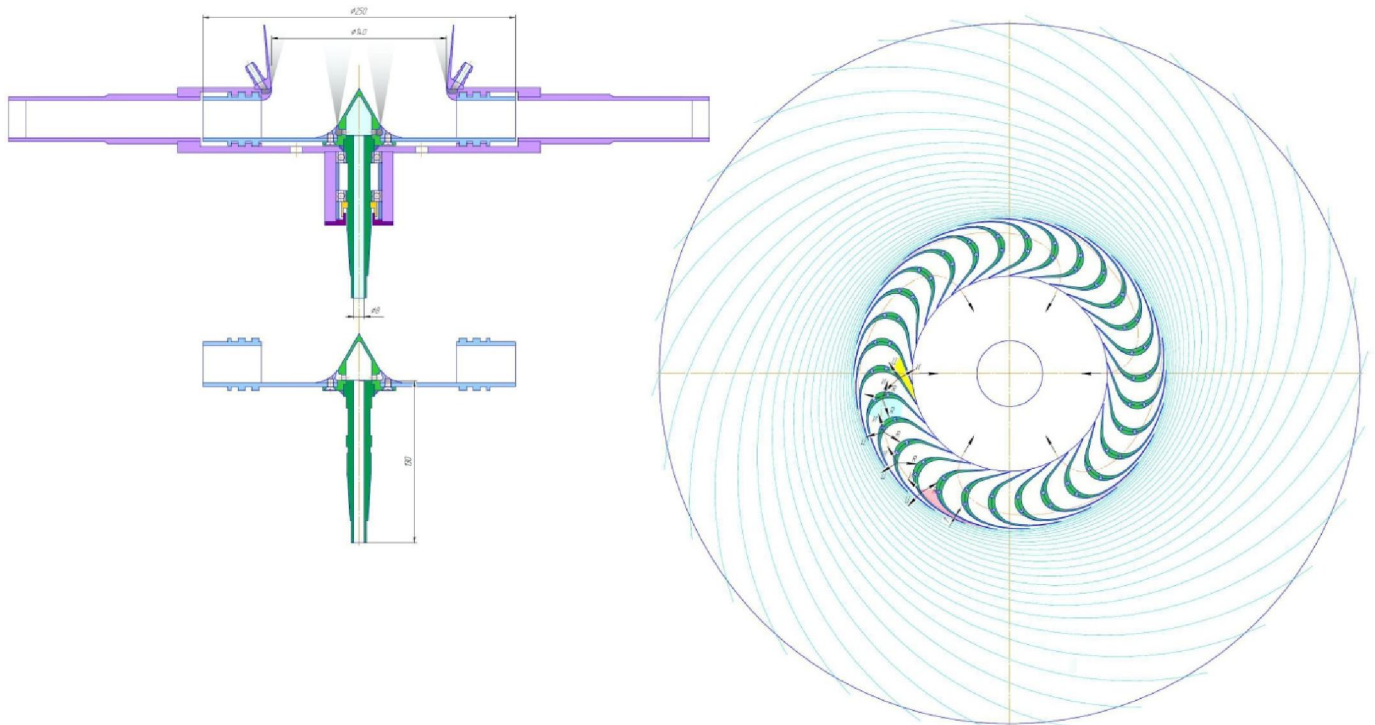


The first experimental model with more powerful turbine on the starting block with the engine of 3 kW. The air reflector is removed (it is visible on other images of this model). There was a hope that power will be enough for start though, according to preliminary estimates, the PURE power transferred to an air stream, 3 kW without efficiency of the engine and the turbine was necessary. On a background - the 3-phase transformer of 3 kW. Photo of 29.10.2013.

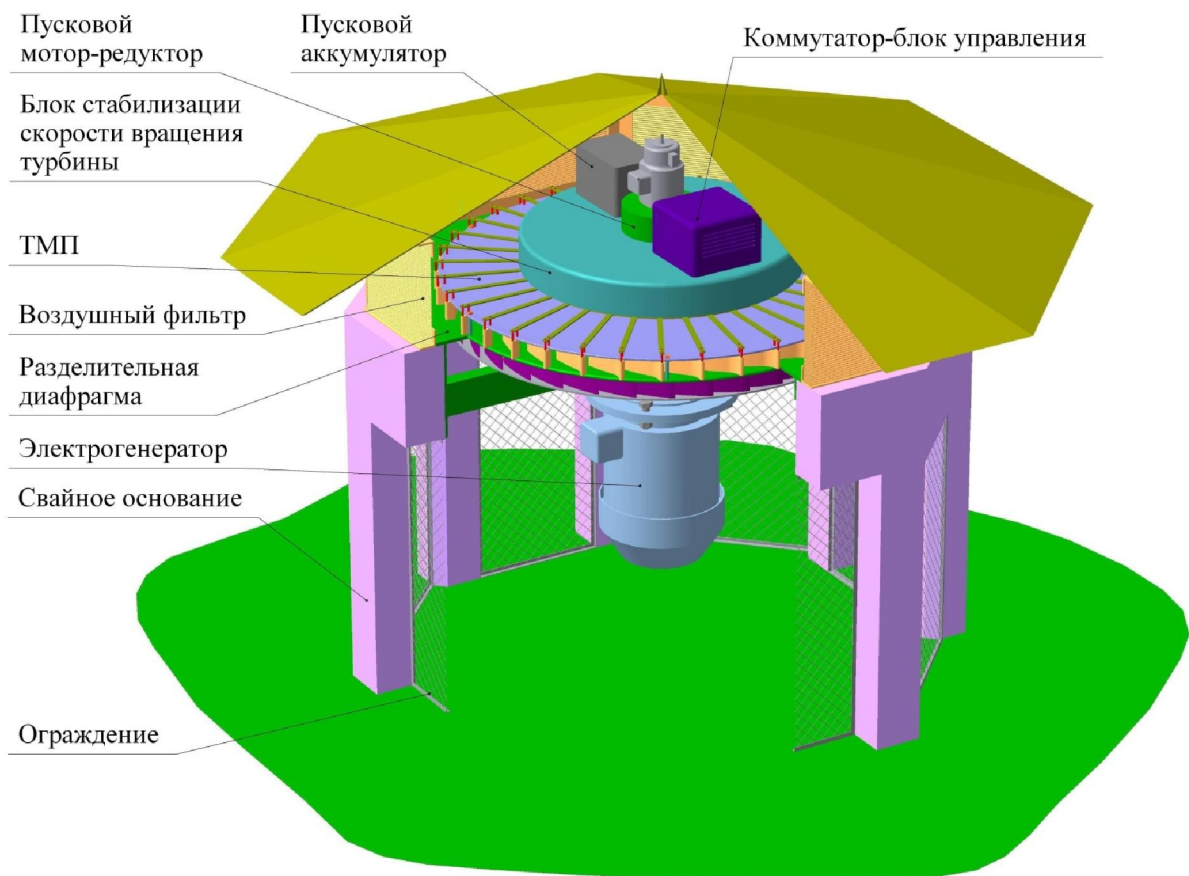
It isn't excluded that would be more optimum to make new, more perfect model, as was begun, but besides, isn't complete owing to a lack of time and means. So far it was succeeded to make only its plastic preparation.



Also rotor option of such device having the features of functioning and production, but using the same properties of a vortex stream for transformation of scattered thermal energy is developed.



The TMC technology can be applied in the most different areas of equipment as a stationary or mobile power source. For example – as the autonomous stationary power plant working due to cooling of the proceeding air for size about $10 \dots 15^\circ$. Thus in the range of weather conditions habitual to us parameters of the unit practically don't depend on absolute air temperature. The device with a diameter of 1 m can give out useful power about 12 kW.



Often there is a question: If we cool large volumes of air, whether will lead it to any violations in environment? However, it isn't necessary to forget that as a percentage of huge atmosphere, these cooled volumes – literally "drop in the ocean", they quickly dissipate a wind and convection, and the balance of heat is right there filled with processes of our "consumption" of energy. Just the opposite is it is possible to call panacea from the current trend to the global warming of the atmosphere fraught with any cataclysms.

So far it is possible to give the known natural phenomena in the form of whirlwinds as confirmation of operability of such technology. All of us know, what huge mechanical energy they make. Though scientists and researchers still build various versions concerning a physical basis of these phenomena.

Besides, in due time the author of this development made by means of special installation experiments on measurement of speeds of an air stream and differences of pressure in artificially created tuft which confirmed initial assumptions and formulas for calculation of parameters of a stream.

Thus, at the moment there are certain practices in this direction of power which can be most perspective than the other directions which are considered as alternative to fuel, together taken. But there is no opportunity to continue work because of an elementary lack of time and money. Thus it is clear, it is this project isn't commercial. Inherently it is private scientific development which positive result isn't guaranteed, but has high probability (though, negative result in science – too result). There is a clear understanding of that completion of research and development on this subject is necessary, and that the developer simply not in forces for many reasons to perform this work at own expense. The reasons too are clear. It and the general complexity of an economic situation in the country, essential falling of the income in the sphere of real production (professional

accessory of the developer). And specifics of the project, need of performance of samples at a high technological level that attracts notable material inputs, contrary to ordinary representation as if similar ideas can be checked "on the elementary model". At the same time the total amount necessary for effective further work is rather small - about \$10,000.

In this case it is about "formation on feet" of the project, which main goal - not receiving profit, but the general beneficial influence on economic and social development. Of course, future manufacturers of units on the basis of TMC have to have some profit on the production, as well as any other enterprise to provide own development and wellbeing of employees. It is thought, general availability of technology won't become a hindrance to it at all (and it also is already quite available to all at the same level, on what and to the direct developer). Not for this purpose all this becomes that to substitute monopoly for resources for monopoly for means of their extraction (through patenting, for example).

Contact information of the developer:

Andrey Sebin

+7(911)962-90-60

e-mail: pervozvet@list.ru

Skipe: pervozvet1